

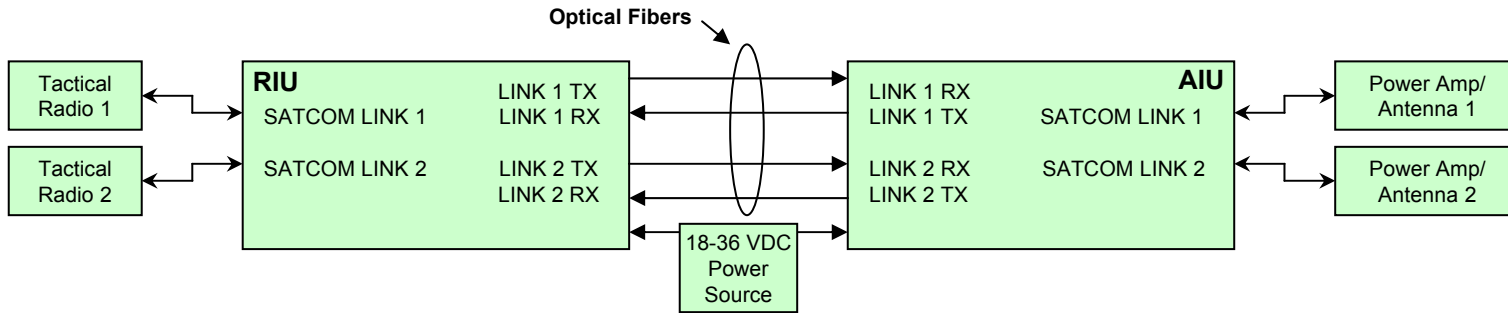
# FORAX-SC2 User Guide

## System Description

The FORAX-SC2 system is designed to operate in the UHF SATCOM band and provide optical links between one or two tactical radios and power amplifier / antenna sets.

## Basic System Installation

The FORAX-SC2 system consists of a Radio Interface Unit (RIU) and Amplifier Interface Unit (AIU). Four single mode optical fibers interface the RIU to the AIU.



- Install the RIU and AIU in a sheltered location that provides sufficient air flow for cooling. **NOTE: Do not block the ventilation slots.**
- Route the RF and fiber optic cables close to the appropriate RIU and AIU link paths.
- Carefully remove protective caps on the AIU/RIU fiber optic connectors and mate to single mode fiber optic cable. **NOTE: It is imperative to keep the fiber connectors as clean as possible to minimize RF link losses. ALL fiber connectors should be cleaned with a ferrule end-face cleaner (or an equivalent) each time they are mated. When fiber connectors are not in use, the provided covers should be installed to prevent dirt intrusion.**
- Using the shortest possible Type N RF cables, connect the tactical radio(s) to the RIU SATCOM LINK(s). Similarly, connect the AIU SATCOM LINK(s) to the power amplifier / antenna set(s).
- Connect the AIU/RIU to an 18-36 VDC (+24 VDC nominal) power source. The positive and negative polarity of the power connection does not matter as the unit will sense and correct the polarity internally. Once power is properly applied, verify each AIU/RIU power indicator LED is illuminated, and the fan is running. **NOTE: The RIU and AIU do not provide a power switch. ALWAYS remove power prior to mating or demating any RF or fiber optic connections.**

## Operation

The FORAX-SC2 system is designed to operate autonomously with minimal user configuration required. RF and fiber optic link status is indicated by three-color LEDs on the front panel of the RIU.

## Controls and Indicators

**LNA Switch:** LNA ON (30 dB Nominal Gain) / LNA OFF (Bypassed)

**Status LEDs: TX RF:** ● TX RF Link Good    ● TX RF Level Out of Nominal Range    ● Power Amp Over Temp / Fault  
○ No RF

**LASER:** ● Optical Link Good    ● Optical Link Marginal    ● Optical Fault  
●/○ *Flashing* Command Link Re-Sync (may occur during normal operation and does not indicate fault)



Class 1 Laser Product  
Optical Fiber Communication System  
Service Group 1  
Maximum Power 10 mW  
Wavelength 1550 nm  
Complies with 21 CFR 1040.10 and 1040.11

# System Specifications

## RF/Fiber Optic Link Characteristics

<b>SATCOM Link TX Configuration</b>	<b>Half-duplex UHF SATCOM</b>
<b>Radio TX power into FORAX RIU</b>	<b>5 W nominal, 20 W survival</b>
<b>FORAX AIU output power to external amplifier/antenna</b>	<b>2 W PEP</b>
<b>Bandwidth</b>	<b>243-317 MHz</b>
<b>Link gain (30 m fiber)</b>	<b>LNA On: +18 LNA Off: -15 dB</b>
<b>Noise figure (NF)</b>	<b>LNA On: +9 LNA Off: +39 dB</b>
<b>1-dB compression point</b>	<b>LNA On: -20 LNA Off: +12 dBm</b>
<b>Third-order intercept point (IIP3) (30 m fiber)</b>	<b>LNA On: -10 LNA Off: +24 dBm</b>
<b>Spur-free dynamic range (SFDR) (30 m fiber)</b>	<b>LNA On: +103 LNA Off: +105.5 dBm/Hz</b>

## Product Characteristics

<b>Fiber optic connector type</b>	<b>SC/APC</b>
<b>RF connector type</b>	<b>N-type female</b>
<b>Power connector type</b>	<b>MIL-C-5015 12S</b>
<b>Power requirements</b>	<b>Input Voltage: 18-36 VDC</b>  <b>RIU Power: 8 W (all modes)</b> <b>AIU Power: 12 W (2 x RX)</b> <b>36 W (2 x TX)</b>
<b>Operating temperature</b>	<b>-34 C to +60 C</b>
<b>Storage temperature</b>	<b>-40 C to +80 C</b>
<b>Case Size</b>	<b>RIU and AIU (WxHxD):</b> <b>15 x 5.3 x 23 cm</b> <b>6 x 2.1 x 9 in</b>
<b>Weight</b>	<b>RIU: 1.6 kg (3.6 lb)</b> <b>AIU: 1.7 kg (3.7 lb)</b>

## Limited Hardware Warranty

Syntonics warranty obligations are limited to the terms set forth below:

1. LIMITED WARRANTY. SYNTONICS warrants this hardware product against defects in materials and workmanship, under normal use and service, for a period of one (1) year from the date of receipt by the Purchaser.

If the Purchaser discovers a defect within the warranty period, SYNTONICS will repair the product with either new or refurbished replacement parts at no charge. If SYNTONICS is unable to restore the product to good working order, SYNTONICS will, at its option, replace or refund the purchase price of the product. All products that are replaced will become the property of SYNTONICS. Any replaced or repaired product is warranted for the remainder of the initial warranty period or ninety days, whichever is longer. SYNTONICS shall not be responsible for any software, firmware, information or memory data of the Purchaser contained in, stored on, or integrated with any products for system components returned to SYNTONICS pursuant to any warranty.

2. RETURN PROCEDURES. To obtain service under this warranty within the established period, the Purchaser must:

Call SYNTONICS Technical Service Support Operations at 1-410-884-0500 between 9 a.m. and 5 p.m. EST, Monday through Friday, excluding holidays.

To insure that your product qualifies for return to factory warranty service, you will be asked to provide the model and serial number of your product, the date of original purchase, and the Purchaser's name, address, and phone number.

Products returned to SYNTONICS' Technical Service Support Operations must be pre-authorized by SYNTONICS with a Return Material Authorization (RMA) number marked on the outside of the package, and sent prepaid, insured, and packaged appropriately for safe shipment. The repaired or replaced item will be shipped to the Purchaser at SYNTONICS' expense.

3. APPLICABILITY.

This warranty applies only to hardware products (including internal components) supplied by SYNTONICS that can be identified by the "SYNTONICS" trademark, trade name, or logo affixed to them. Any warranty on external third-party hardware installed by SYNTONICS with this product is provided by the hardware vendor, not SYNTONICS. This warranty applies to all SYNTONICS products and third party products included in each purchase. This warranty does not apply to damage caused by accident, abuse, misuse, improper installation or testing, misapplication, service performed by a third party other than SYNTONICS, or any other cause beyond the range of the intended use, or by fire, lightning, or other hazard; if the product has been modified without the written permission of SYNTONICS; or if any SYNTONICS serial number has been removed or defaced.

4. LIMITATIONS OF REMEDIES AND DAMAGES.

IN NO EVENT WILL SYNTONICS, ITS PARENT OR SUBSIDIARIES OR ANY OF THE LICENSORS, DIRECTORS, OFFICERS, EMPLOYEES OR AFFILIATES OF ANY OF THE FOREGOING BE LIABLE TO THE PURCHASER FOR ANY CONSEQUENTIAL, INCIDENTAL, INDIRECT OR SPECIAL DAMAGES WHATSOEVER (INCLUDING, WITHOUT LIMITATION, DAMAGES FOR LOSS OF BUSINESS PROFITS, BUSINESS INTERRUPTION, LOSS OF BUSINESS INFORMATION AND THE LIKE.) WHETHER FORESEEABLE OR UNFORESEEABLE, ARISING OUT OF THE USE OF OR INABILITY TO USE THE SOFTWARE OR ACCOMPANYING WRITTEN MATERIAL, REGARDLESS OF THE BASIS OF THE CLAIM AND EVEN IF SYNTONICS OR A SYNTONICS REPRESENTATIVE HAS BEEN ADVISED OF THE POSSIBILITY OF SUCH DAMAGE. SYNTONICS LIABILITY TO THE PURCHASER FOR DIRECT DAMAGES FOR ANY CAUSE WHATSOEVER, AND REGARDLESS OF THE FORM OF THE ACTION, WILL BE LIMITED TO THE ACTUAL PURCHASE PAID FOR THE PRODUCT.

Some states do not allow the exclusion or limitation of incidental or consequential damages or exclusion of implied warranties, so the above limitations or exclusions may not apply to the Purchaser. This warranty gives the Purchaser specific legal rights, and the Purchaser may also have other rights that vary from state to state.

THE WARRANTY AND REMEDIES SET FORTH ABOVE ARE EXCLUSIVE AND IN LIEU OF ALL OTHERS, WHETHER ORAL OR WRITTEN, EXPRESS OR IMPLIED. SYNTONICS SPECIFICALLY DISCLAIMS ANY AND ALL IMPLIED WARRANTIES, INCLUDING, WITHOUT LIMITATION, WARRANTIES OF MERCHANTABILITY AND FITNESS FOR A PARTICULAR PURPOSE. UNLESS MODIFIED IN WRITING AND SIGNED BY THE AUTHORIZED REPRESENTATIVES OF BOTH PARTIES, THIS WARRANTY IS UNDERSTOOD TO BE THE COMPLETE AND EXCLUSIVE WARRANTY BETWEEN THE PARTIES. NO SYNTONICS SALES REPRESENTATIVE, DEALER, RESELLER, AGENT OR EMPLOYEE IS AUTHORIZED TO MAKE ANY MODIFICATION, EXTENSION, OR ADDITION TO THIS WARRANTY UNLESS OTHERWISE ALLOWED BY THIS AGREEMENT.